

- **Engine**
- **Power**
- **G.V.W.**
- **Payload**
- **Capacity Struck**
- **Heaped (SAE 2:1)**

Iveco Cursor 13 **TIER 3**  
368 kW (500 HP)  
70.000 kg  
40.000 kg  
20 m<sup>3</sup>  
25,2 m<sup>3</sup>

RD 40

Rigid Dumper

ENGLISH  
01-2011



## ENGINE

Diesel with 6 cylinders in line, direct electronic injection, pump injectors, turbo charger with intercooler, variable geometry turbine.

Emissions : EPA - CARB - OFF ROAD TIER 3

Make and type: ..... IVECO CURSOR 13-F3B

Bore x stroke: ..... 135x150 mm (5.31"x5,90" in)

Total displacement: ..... 12800 cm<sup>3</sup>

Max power: ..... 368 KW (500 HP) @ 1900 rpm

Max torque: ...2200 Nm (147 Kgm) from 900 @ 1540 rpm

Integrated engine brake: ..... Iveco Turbo Brake

Cold start - 25° C



## PERFORMANCE

With 18.00R33 tyres

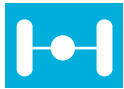
gears	gears ratio	Km/h	mph
1	4.00	8.1	5
2	2.68	12.1	7.5
3	2.01	16.2	10
4	1.35	24.0	14.9
5	1.00	32.4	20.1
6	0.67	48.4	30
1 REV	5.15	6.3	3.9
2 REV	3.46	9.4	5.8



## TRANSMISSION

Automatic transmission Allison H5610AR with 6 forward speeds and 2 reverse.

Hydraulic torque converter, stall torque 1:1,77.



## REAR AXLE

KESSLER axle.

Double reduction: central by bevel gear pair and final in wheel hubs by epicyclic train.

Central reduction ratio: ..... 1:3,27

Final reduction ratio: ..... 1:5,90

Total reduction ratio: ..... 1:19,29



## TYRES

Steel rim ..... 13"x33"x2,5"

Tubeless radial rock tyres 18.00R33



## STEERING

Meets ISO 5010, SAE J 1511 standards.

Hydraulic power steering with 2 double acting cylinders.

Gear pump flanged to the gearbox.

Max.working pressure: 170 Bar

Radial piston emergency pump driven by the transmission.



## BRAKES

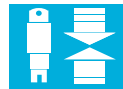
Complying with ISO 3450.

Service brake: Pneumo-hydraulic controlled dry disc with 2 independent circuits, one for each axle .

Emergency brake: service brake integrated.

Parking brake: disc-type, driven by a spring cylinder acting on the final part of the transmission.

**Hydraulic retarder:** between torque converter and gearbox.



## SUSPENSION

**Front:** independent steering wheels, hydro-pneumatic suspension cylinders (oil-nitrogen) acting as suspension/shock absorber.

**Rear:** semi-independent with A-frame and Panhard type cross bar. Two hydro-pneumatic cylinders (oil/nitrogen) acting as suspension/shock absorber.

**Optional:** front suspension gas charger kit.



## ELECTRICAL SYSTEM

2 batteries: ..... 12 V / 170 Ah

Voltage: ..... 24 V

Alternator: ..... 24 V / 90 A

Starter: ..... 5 kW

All cables are coded, covered and fastened to the chassis. CAN bus Simple-Mux system between engine control unit (ECU), gearbox and Body Computer.

New cluster with high definition multifunctional colour display. New Black Box able to manage 140 records for each memory area.

**Optional:** Rear view camera with cluster integrated display (3" ½).

Rear view camera with monitor in the cab (4" ½).



## BODY TIPPING SYSTEM

Two body hoist cylinders installed on ball joints outside the frame rails. Three stage telescopic cylinders.

Gear pump driven by a gearbox PTO (flow: 200 l/min @ 1900 rpm).



## BODY

Walls and bottom in high abrasion resistance steel.  
 Hardness: ..... HB 400  
 Bottom thickness: ..... 12 mm 0.47 in  
 Side walls thickness: ..... 10 mm 0.39 in  
 Front thickness: ..... 12 mm 0.47 in  
 Elastic pads between body and chassis.  
 Tipping angle: ..... 62°  
 Tipping time: ..... 13"  
 Lowering time: ..... 12"  
 Body heating system.  
 Body capacity:  
 Struck: ..... 20 m<sup>3</sup> 26.1 yd<sup>3</sup>  
 heaped (SAE 2:1): ..... 25.2 m<sup>3</sup> 33 yd<sup>3</sup>  
**Optional:** Rock body bottom 20mm; Heavy Duty body bottom 25mm; Body side extensions (height 400 mm); Rear mechanical gate; Body front spill guard.



## CHASSIS

Built in high resistance steel. Two extruded side members linked by stiffening cross members with a ring structure supporting the front suspension.



## GREASING SYSTEM

**Optional:** automatic central greasing system with a variable amount of grease according to the conditions of vehicle use.



## CAB

Complying with ROPS ISO 3471 and FOPS ISO3449 level II.  
 In steel, sound-proof and installed on the left side.  
 Compressed air quick coupling for cab cleaning.  
 Athermic glasses. Door with glazing in the lower part for maximum visibility.  
 Fully adjustable air suspension central operator seat with safety belts. Instructor seat with safety belts.  
 Cab suspension with elastic pads. Windscreen sunvisor.  
 Automatic climate control with pollen filter.  
**Optional:**  
 Work lights on top of the cab.  
 CD-Mp3 radio.  
 Refrigerator.



## WEIGHTS Kg

	TARE (*)		PAYLOAD		TOTAL WEIGHT	
	kg	lb	kg	lb	kg	lb
Front axle	16.100	35.494	6.950	15.322	23.050	50.816
Rear axle	13.900	30.644	33.050	72.862	46.950	103.506
Total	30.000	66.138	40.000	88.184	70.000	154.322

\*Tare including fuel, lubricants and driver (75 kg / 165 lb)



## INSTRUMENTS

On-board computer with digital/analogic instrumentation and performance/fault messages to manage all vehicle operating information (levels, warning lights, etc...)  
**Advanced vehicle diagnostics system:** management, display and storage of engine, transmission, steering system, braking, body tipping and service pneumatic system data. Emergency engine switch in the cab.  
 Connection for data download and analysis.  
 Trip computer for vehicle productivity analysis.  
**Optional:** Ground emergency engine switch.



## SERVICE DATA(I)

For specifications of the fluids, see the Use and Maintenance Manual.

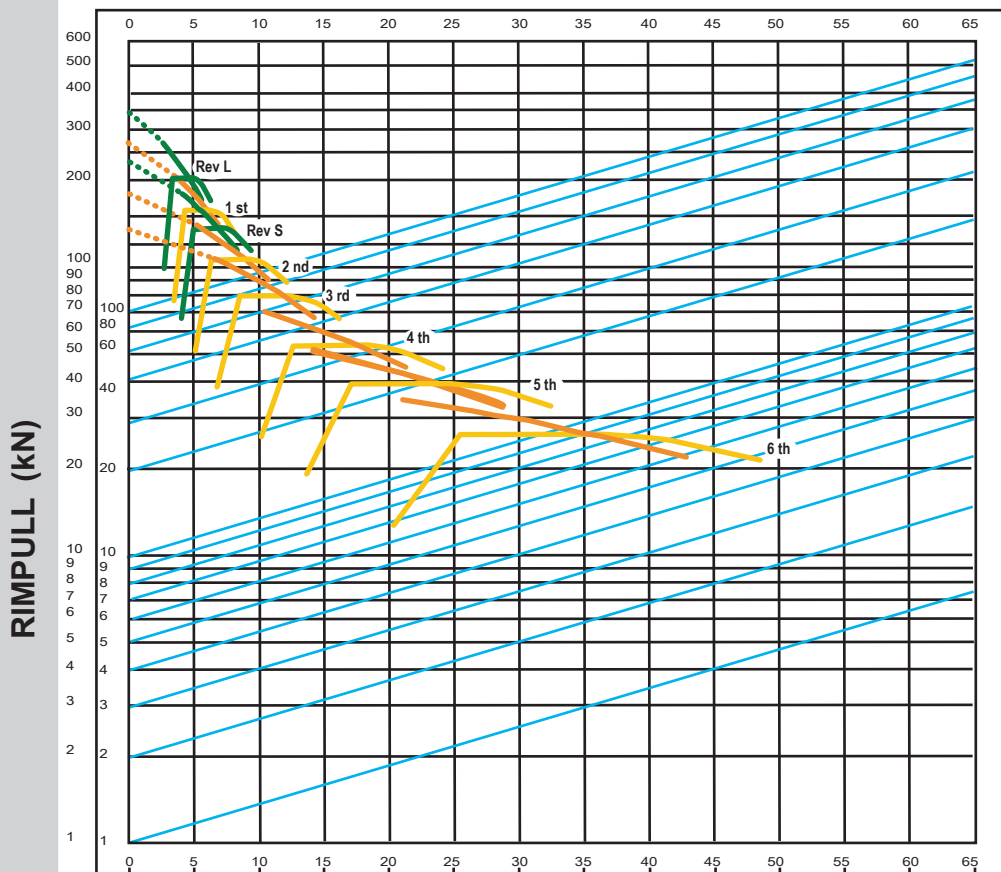
Engine oil: .....	35 l	9.2 US Gals
Gearbox oil: .....	68 l	17.9 US Gals
Cooling circuit: .....	85 l	22.5 US Gals
Fuel tank: .....	490 l	129.4 US Gals
Front hub (each): .....	1,1 l	0,2 US Gals
Rear axle: .....	68 l	17.9 US Gals
Tipping hydraulic system oil: .....	220 l	58.1 US Gals
Fan drive and steering hydraulic system oil: .....	80 l	21.13 US Gals
Brakes hydraulic system oil: .....	6 l	1.6 US Gals
Final reductions oil (each): .....	10,6 l	2.8 US Gals
Suspension cylinders front (each): .....	17,0 l	4.5 US Gals
Suspension cylinders rear (each): .....	7,9 l	2.1 US Gals



## PNEUMATIC SYSTEM

Two-cylinder air compressor. Air drier.  
 Air tanks n. 5: ..... 30l.  
 Pneumatic circuit for tipping system, parking brake, auxiliary service brake, suspension seat, horn and air take up in the cab.

To determine gradeability performance, read from G.V.W. down to the percent of total resistance. From this point, read horizontally to the curve with the highest obtainable gear, then down to the maximum speed.

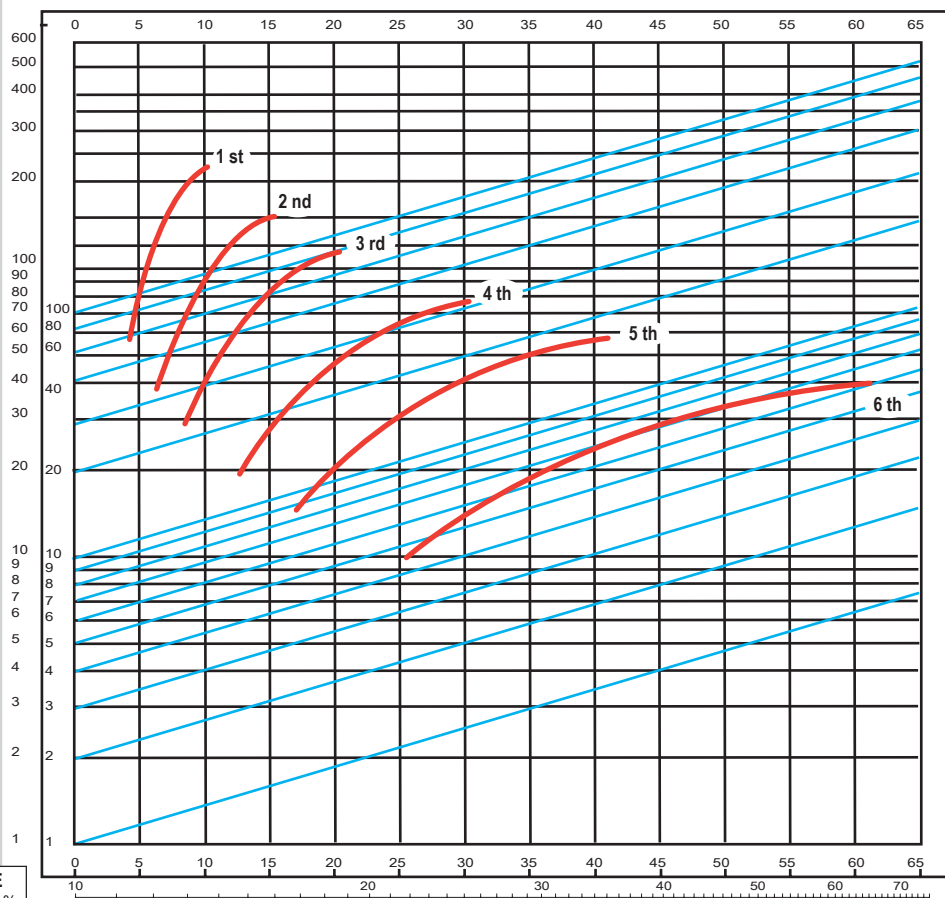


Speed (km/h)

TOTAL RESISTANCE %  
slope % plus rolling resistance %

Speed (km/h)  
G.V.W. (kg x 1000)

BRAKING FORCE (kN)  
Iveco turbo brake plus retarder



Speed (km/h)

TOTAL RESISTANCE %  
slope % minus rolling resistance %

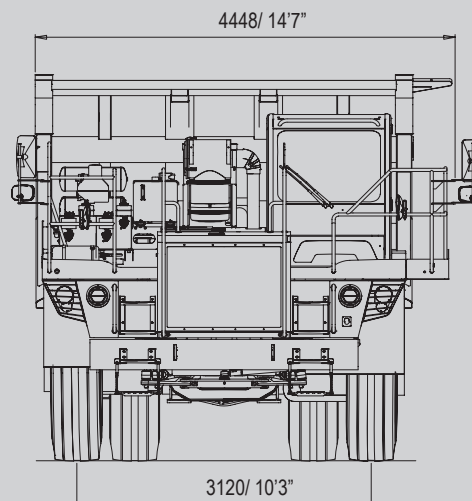
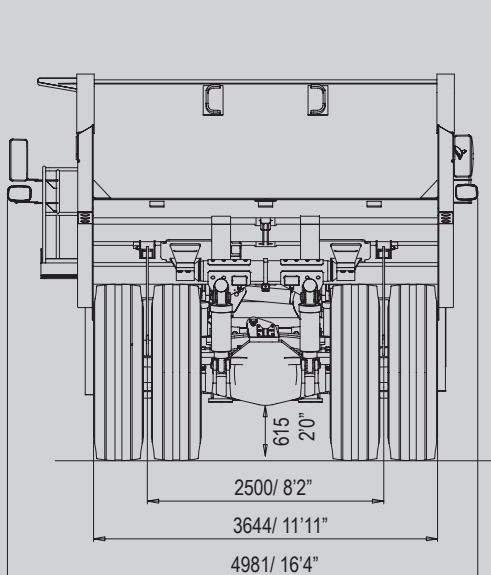
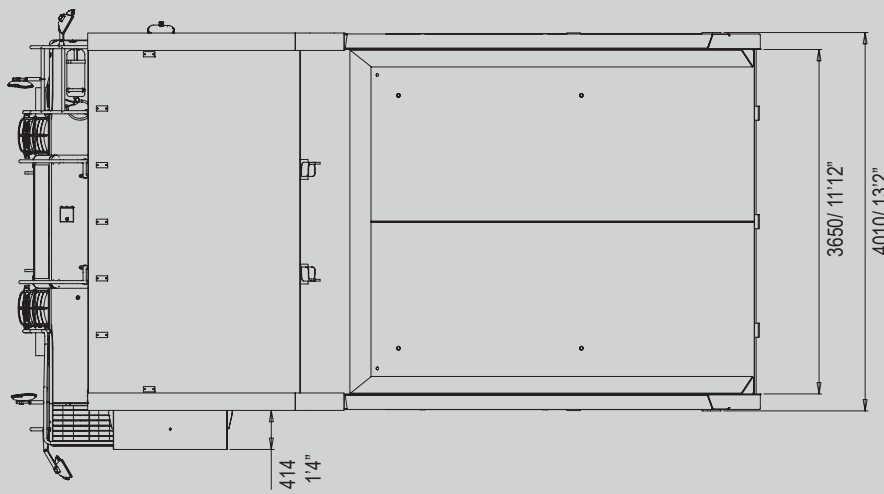
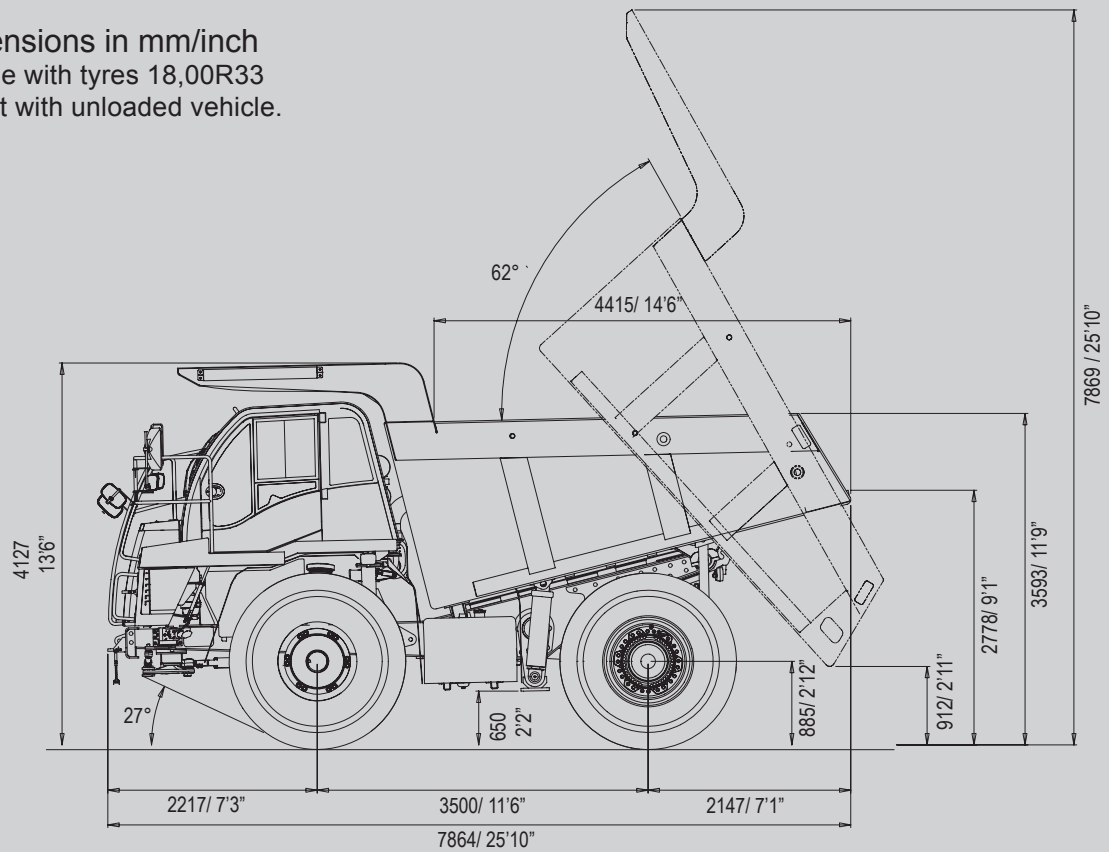
Speed (km/h)  
G.V.W. (kg x 1000)

ROLLING RESISTANCE		
Road surface features	for gross weight t	in %
Black top - Concrete	15kg	1,5%
Hard packed soil	20kg	2,0%
Mud on packed soil	40kg	4,0%
Packed snow	25kg	2,5%
Soft snow	45kg	4,5%
Sand - Gravel	100kg	10,0%

To determine retarding performance, read from G.V.W. down to the percent effective grade. From this point, read horizontally to the curve with the highest obtainable gear, then down to the maximum descent speed brakes can properly handle without exceeding cooling capacity.

# Rigid Dumper RD 40

Dimensions in mm/inch  
Vehicle with tyres 18,00R33  
Height with unloaded vehicle.



# Rigid Dumper

# RD 40



Characteristics and equipment are subject to changes without prior notice

M.K.T.- 01.11- A3502014

**ASTRA Veicoli Industriali S.p.A.**

Via Caorsana, 79  
29122 Piacenza (Italy)  
Tel. ++39-523.5431  
Fax ++39 523.591773  
[www.astraspa.com](http://www.astraspa.com)

**DEALER**