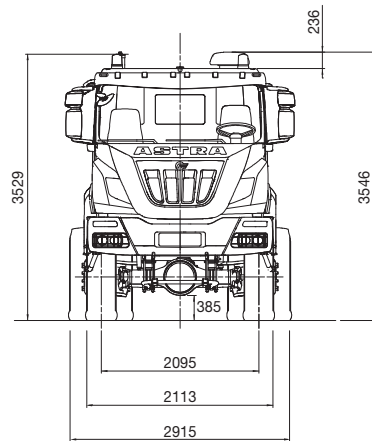
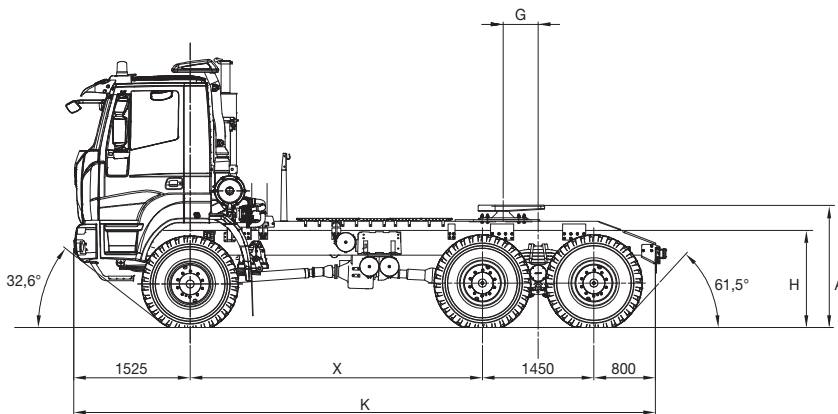
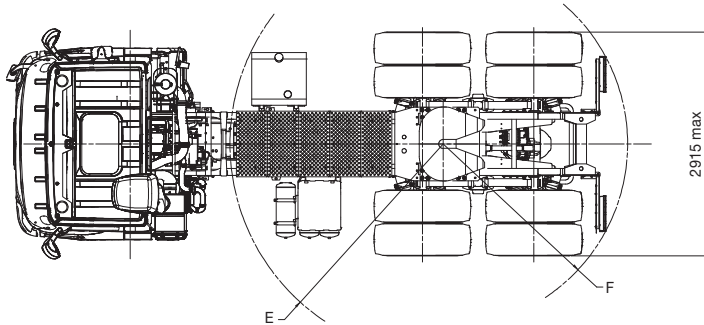


**Heavy - Heavy Duty**

**G.C.W. up to 300t**
**Tractor 6x6  
66.48 / 66.54**


(\*) unloaded



<b>ON REQUEST</b>	
<input checked="" type="checkbox"/> <b>LONG CAB VERSION</b>	<p>wheelbase &gt; 3800 mm +130kg on front axle</p>
<b>TYRES 14.00R20</b>	


**DIMENSIONS (mm) short cab**

X	K	G(1)	H		A		E(1)	F(1)	TURNING DIAMETER
			UNLOADED	LOADED	UNLOADED	LOADED	FRONT RADIUS	REAR RADIUS	
3800	7575	455	1307	1243	1637	1573	2770	2355	22410
4100	7875	465					3060	2385	23680

(1) Max. load on first axle 10,000 kg: values to be confirmed in combination with semitrailer.


**WEIGHT (kg)**

Distribution net weight (*)				Max. technical weight			
X	1 <sup>st</sup> axle	2 <sup>nd</sup> + 3 <sup>rd</sup> axle	NET WEIGHT	1 <sup>st</sup> axle	2 <sup>nd</sup> + 3 <sup>rd</sup> axle	Fifth Wheel	Gross Combination Weight (**)
3800	6240	6330	12570	10000	40000	37430	up to 300 ton
4100	6405	6205	12610			37390	

(\*) Weight including oil, fuel, spare wheel, driver Kg. 75

(\*\*) Data to be checked with Technical Department according to the configuration and the mission of the vehicle

Technical data and general specifications - validity to be checked according to each individual country



## ENGINES

CURSOR 13 turbo intercooler euro 3 diesel injection/cycle with electronic unit injection pumps. 6 in-line cylinders. Single block head, four valves per cylinder, light alloy pistons. Total displacement: 12.882 cm<sup>3</sup>. Bore for stroke: 135 x 150 mm. Water cooling. Viscostatic cooling fan. Dry air filter with safety cartridge. Vertical muffler.

	66.48T	66.54T*
Model	FPT Cursor13 F3B	FPT Cursor13 F3B
Max. power (EEC)	353 kW (480 HP)	397 kW (540 HP)
Corresponding rpm	1.900	1.900
Max. torque (EEC)	2.200 Nm (224 kgm)	2.350 Nm (240 kgm)
Corresponding rpm	1.000-1.440	1.000-1.690
Turbine	VGT variable geometry	

\*Requires additional engine radiator, for extremely hot climate (>42°C).



## GEARBOX

Manual gear **ZF 16 S 2520 TO** with servoshift, 16 synchronised forward speeds + 2 reverse

**On request:**

- Astronic **ZF 16AS2630 TO**.

- Transmatic **ZF 16S221 with WSK 440** torque converter (wheelbase 4100mm).

		Speed [kph]at maximum power rpm - Tyres 14.00R20																	
		Gears																	
		1	2	3	4	5	6	7	8	9	10	11	12	13	14	15	16	RM1	RM2
ZF 16 S 2520TO	Gear ratios	13,80	11,54	9,49	7,93	6,53	5,46	4,57	3,82	3,02	2,53	2,08	1,74	1,43	1,20	1,00	0,84	12,92	10,80
	Rear axle ratio with transfer 1:1.0	4,7	5,7	6,9	8,3	10,0	12,0	14,3	17,2	21,7	25,9	31,5	37,7	45,8	54,6	65,5	78,0	5,1	6,1

**On request: Automatic gearbox Allison 4700** with closed loop adaptive shifts, 7 forward speeds +1 reverse (wheelbase 4100mm). Torque converter TC-561. Stall torque ratio 1.58. Cab-mounted shift selector lever.

		Allison 4700							
		Gears							
		1	2	3	4	5	6	7	RM
Gear ratios		7,63:1	3,51:1	1,91:1	1,43:1	1,00:1	0,74:1	0,64:1	-480:1



## P.T.O.

**On request:**

Gearbox	ZF16S2520TO	Max. torque	Application
P.T.O.	Ratio	Nm	
ZF NH/1b	0,91/1,09:1	1000	For tipping unit pumps, pumps for cranes, ecc..
ZF NH/1c	0,91/1,09:1	1000	For tipping unit pumps, unit pumps for concrete, pumps for cranes, ecc..
ZF NH/4c	1,17/1,40:1	430	For tipping unit pumps, ecc..



## P.T.O. CHELSEA only for automatic gearbox Allison 4700 (on request)

Gearbox	Allison 4700	Max. torque	Application
P.T.O.	Ratio	Nm	
859 XGF JP-5	1,08:1	780	For higher performance, 30t windlass..



## CLUTCH

Single dry plate, diameter 17".  
Pull type engagement with diaphragm spring.  
Hydro-pneumatic power steering engagement control, with driven disk wear recovery slave cylinder.  
**On request:** Ceramic clutch 17".



## TRANSFER ZF STEYR VG 2700

Mechanical with two ratios. It consists of a series of helical spur gears, mounted on three shafts, engaged with each other. Differential lockable by pneumatic control.  
Transmission ratio: 0:913 - 1,407  
Front torque distribution ratio: 1,0  
Rear torque distribution ratio: 2,6



## SUSPENSIONS

**FRONT**  
Parabolic springs with bushings, **5 leaves 24x90 mm**.  
Hydraulic shock absorbers and standard stabilizer bar.  
**REAR**  
Parabolic springs, swivelling on central pin: **5 leaves 40x100 mm**. Supplemented by torque bars and stiffening brackets.  
**Stabilizer bar on rear axles.**



## AXLES

**FRONT**  
Driving and steering type for max technical weight 10.000 kg  
Double reduction, central with pinion-crown wheel, side by . means of epicycloidal assembly in wheel hubs.  
**On request:**  
Differential lockable by pneumatic control from driver's seat.  
**REAR**  
Two driving axles in tandem for **max technical weight 40.000 kg**.  
Double reduction: central with bevelled pair, final in the wheel hubs by means of epicycloidal assembly.  
Torque distributor on 2nd axle.  
Differential lockable by pneumatic control from driver's seat.  
Tandem assembled to the chassis by reaction rods with silentblock. Rear-axle ratio 1:7,29



## CHASSIS

In steel with high elasticity limit consisting of two flat parallel side members (width 820 mm.) with C section (320x90x10 mm), jointed by nailed cross members. R.B.M. (Rail Bending Moment: 202.020 Nm (20.593 Kgm). Steel front bumpers with headlamp protection grids, front manoeuvring hook, rear underrun bar, steel fuel tank capacity 300 litres.  
Fifth wheel helper frame, spot and side alighting step, toolbox, fixed fifth wheel JSK 50.  
**On request:**  
Rapid attachment for compressed air for tyres'inflation.  
Rear manoeuvring hook.  
Front bumper climbing step.  
Side winch for spare wheel.



## STEERING

Hydraulic power steering ZF 8099 with variable ratio 1:22.2/1:26.2, with auxiliary cylinder. Hydraulic pump flanged to engine. Steering linkage with self lubricating floating joints.  
Emergency steering pump:  
- On gearbox with mechanical gearbox;  
- On transfer-box with automatic gearbox.  
Mechanically adjustable steering wheel for height and angle.



## TYRES

**FRONT:** 14.00R20 Pirelli PS 22 Single Tubeless  
**REAR:** 14.00R20 Pirelli PS 22 Twin Tubeless  
Spare wheel on the chassis.  
Other tyres available on request, subject to the approval of Astra technical department.



## PNEUMATIC SYSTEM

Two-cylinder 630 cc compressor , APU (Air Processing Unit) that includes: regulation valve set at 10.3 bar, drier, 4-way safety valve, pressure reduction valve for parking circuit and services. 3 air tanks, capacity 30 litres + 1 with 20 litres. ABS system and EBL (Electronic Brake Limiter).



## BRAKES

Front "simplex", rear "duo-duplex" self-adjusting wedge type brakes with automatic play take-up. ABS.  
**Service brake:** Pedal controlled air brake, acting on all wheels.  
**Solo vehicles**, two independent circuits, one for 1<sup>st</sup> axle, one for 2<sup>nd</sup> and 3<sup>rd</sup> axle.  
**Towing vehicles**, three independent circuits, one for 1<sup>st</sup> axle, one for 2<sup>nd</sup> and 3<sup>rd</sup> axle and another for the trailer.  
**Emergency brake:** integrated in service brake.  
**Parking brake:** Manual spring-type mechanical with pneumatic control acting on 2<sup>nd</sup> and 3<sup>rd</sup> axle wheels.  
**IVECO BRAKE TURBO engine brake:**  
Braking power 295 kW (408 cv)  
**On request:**  
Hydraulic intarder.  
1<sup>st</sup> axle immobiliser system.  
OFF/ROAD button for excluding ABS for speed <15 Km/h.



## ELECTRICAL SYSTEM

Voltage: 24 V  
Alternator generator 90 A - 28 V (2520 W).  
**Accumulators: 2 in series, 170 Ah tropicalised.**  
Starter 24 V 5,5 kW.  
Mechanically controlled electrical circuit breaker.  
Anti-block system ABS with 4-conduits and 4-electric valves-electronic system.  
1 electrical joint 7-pole(ISO 7638) for trailer ABS(if applicable).  
1 electrical joint 15-pole(ISO 12089-4091) for trailer lighting (if applicable).  
Electrical provision for outfitters.  
Provision for diagnostics.  
Provision for radio/cb (without speakers)  
Glow plug for cold start.  
**On request:**  
225 Ah accumulators;  
Reverse alarm;  
Electrically controlled main current circuit breaker.



## CAB

White cab built in galvanized pressed steel with hydraulic tilting up to 60°.  
 Cab suspension with 4 helical springs with coaxial shock absorbers, anti-roll bar and end-of-stroke pads.  
 Electric power windows on driver and passenger system.  
 Internal panels completely washable and fireproof.  
 4-speed ventilation and heating system with air recirculation system.  
 Compressed air quick coupling for cab cleaning.

### On request:

Additional central seat;  
 Air conditioning;  
 Anti-fog lights;  
 Cab rear window;  
 Car radio RDS, CD;  
 Car radio RDS, CD, MP3, Blue Tooth technology;  
 Centralized closing of the doors with remote control;  
 External sun visor.  
 Heated and electric powered rear view mirrors;  
 Long cab version with single bunk;  
 Beacon lights on top of the cab.  
 Roof hatch.



## SERVICE DATA(I)

Engine oil sump and filters .....	28
Gearbox oil .....	13
Power steering oil .....	18
Cab tipping oil .....	1
Transferer oil .....	10
Front axle with final red. oil.....	22,5
Intermediate axle with final red. oil.....	21,5
Rear axle with final red. oil .....	22,5
Diesel.....	300



## INSTRUMENTATION

Dashboard and ergonomic instrument board contain the function buttons and the identification commands.  
 Indicator lights: engine oil low pressure, alternator charging low, main beam lights, side lights, engine warm-up, rear fog light, hazard lights, tractor turn indicators, trailer turn indicators (if applicable), rotating lights, cab lifted, axles differential locked, differential lock, low front brakes air pressure, low rear brakes air pressure, low trailer brakes air pressure (if applicable), parking brake engaged, splitter (reduction on), slow speeds (1-4/9-12), power take-off on (if applicable) air filters clogged, low power steering oil level, rear view mirrors heated (if applicable), ABS, trailer ABS (if applicable), main steering circuit failure, steering auxiliary circuit failure.

### ASTRA Veicoli Industriali

Via Caorsana, 79  
 29122 Piacenza (Italy)  
 Tel. ++39-523/5431  
 Fax ++39-523/59.17.73  
 www.astraspa.com

### DEALER

Characteristics and equipment are subject to changes without prior notice.



Technical data and general specifications - validity to be checked according to each individual country